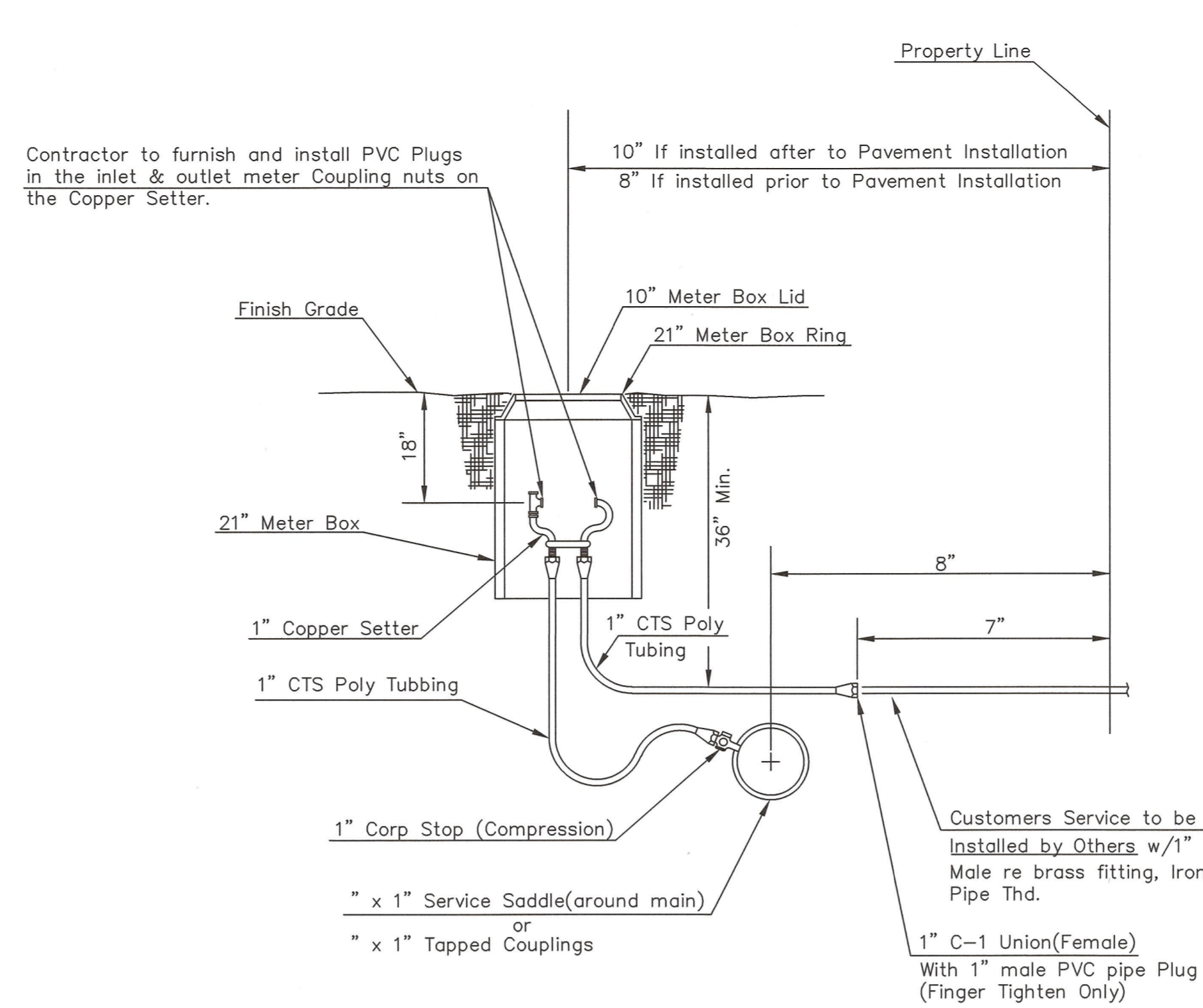


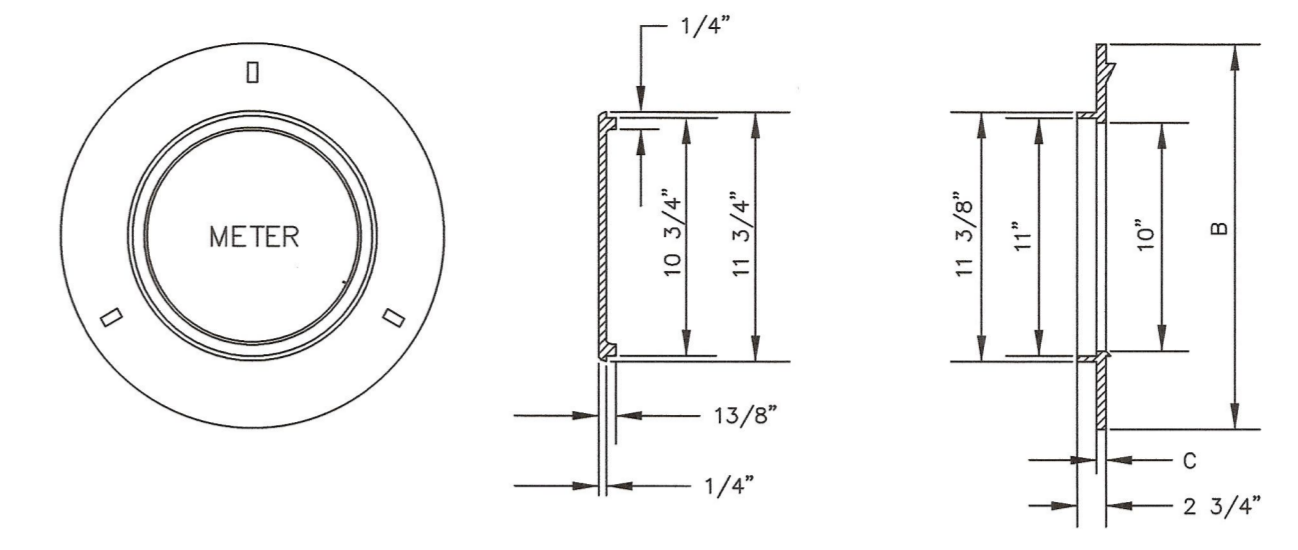
Note: Service Saddles are not required on top of 8" mains or larger  
 Meter boxes will be located on each lot to be served, as indicated in the SPECIAL PROVISIONS

**TYPICAL METER SETTING  
 LONG SERVICE 1"**



Note: Service Saddles are not required on top of 8" mains or larger  
 Meter boxes will be located on each lot to be served, as indicated in the SPECIAL PROVISIONS

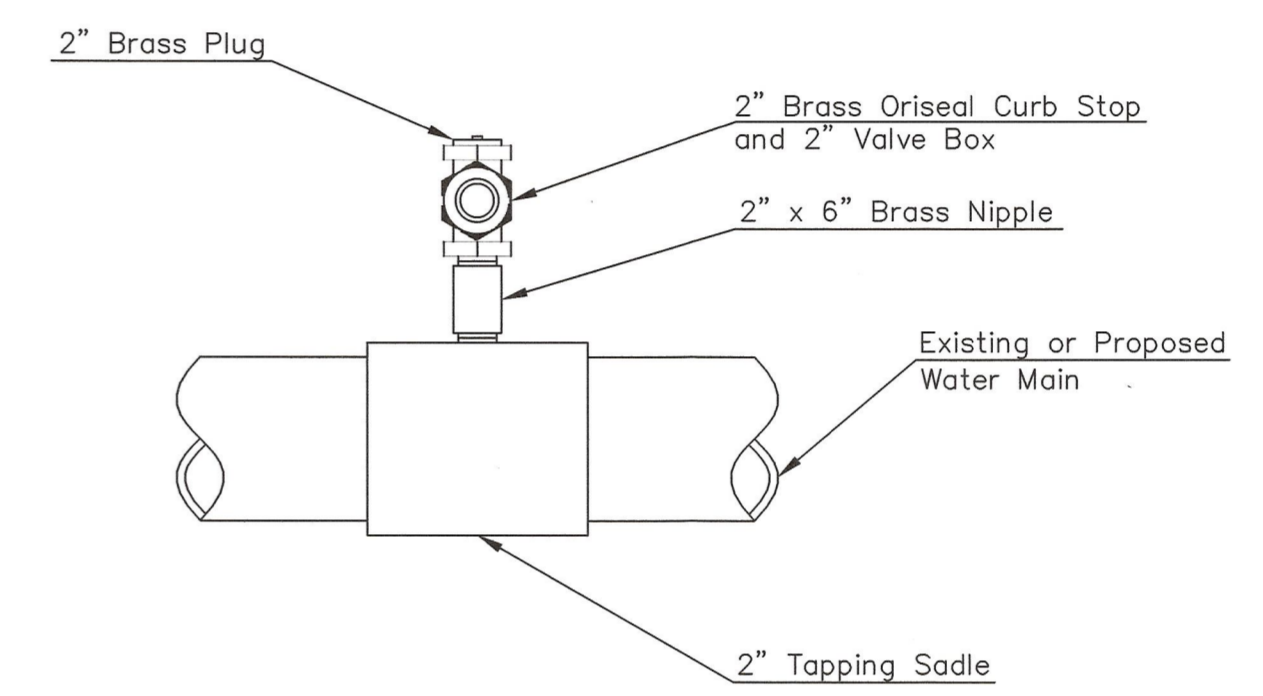
**TYPICAL METER SETTING  
 SHORT SERVICE 1"**



TITLE SIZE	Dimensions		
	A	B	C
21"	20 1/2"	25"	7/16"

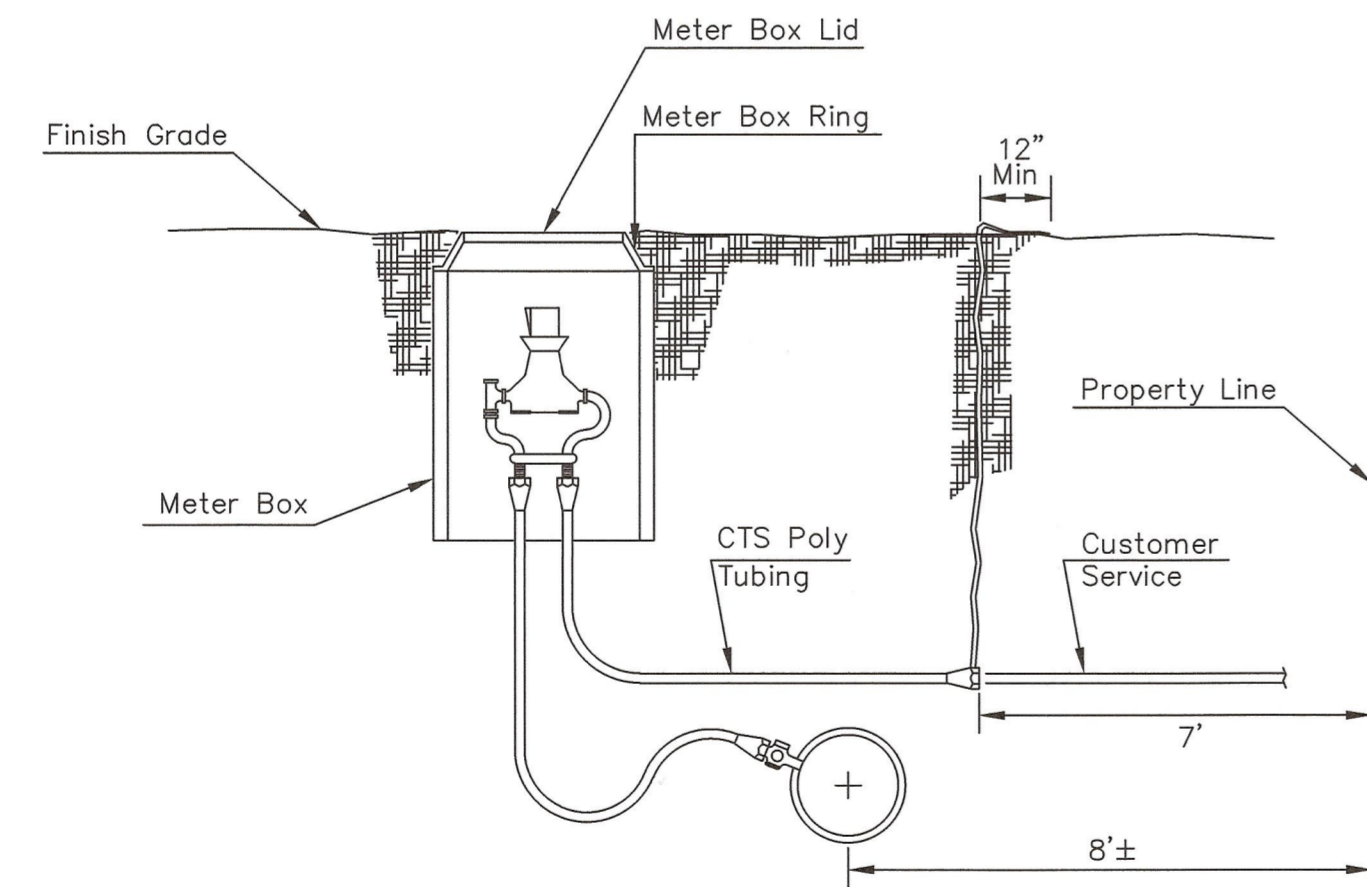
Other Approved Ring And Lids: Ford Meter Box Co. Inc.  
 21" Ring & Lid Catalog No. C-4

**RING & LID FOR METER VAULTS**



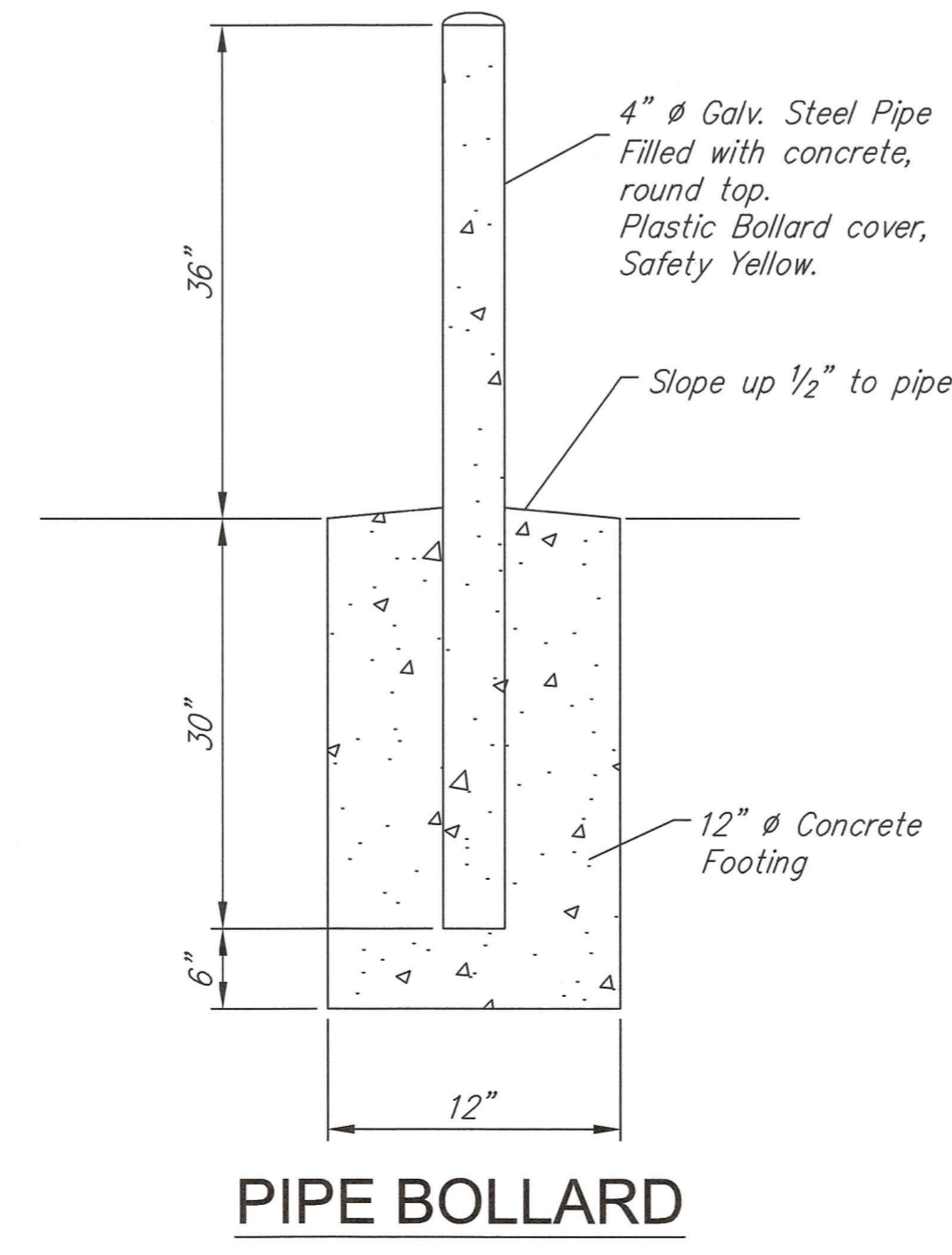
Note: Where the 2" service outlet assembly is to be used to connect a 2" main to another main, the 2" valve shall be a 2" IPT Gate Valve. 2" Ball or Globe valve shall not be approved for this use.

**2" SERVICE OUTLET ASSEMBLY**

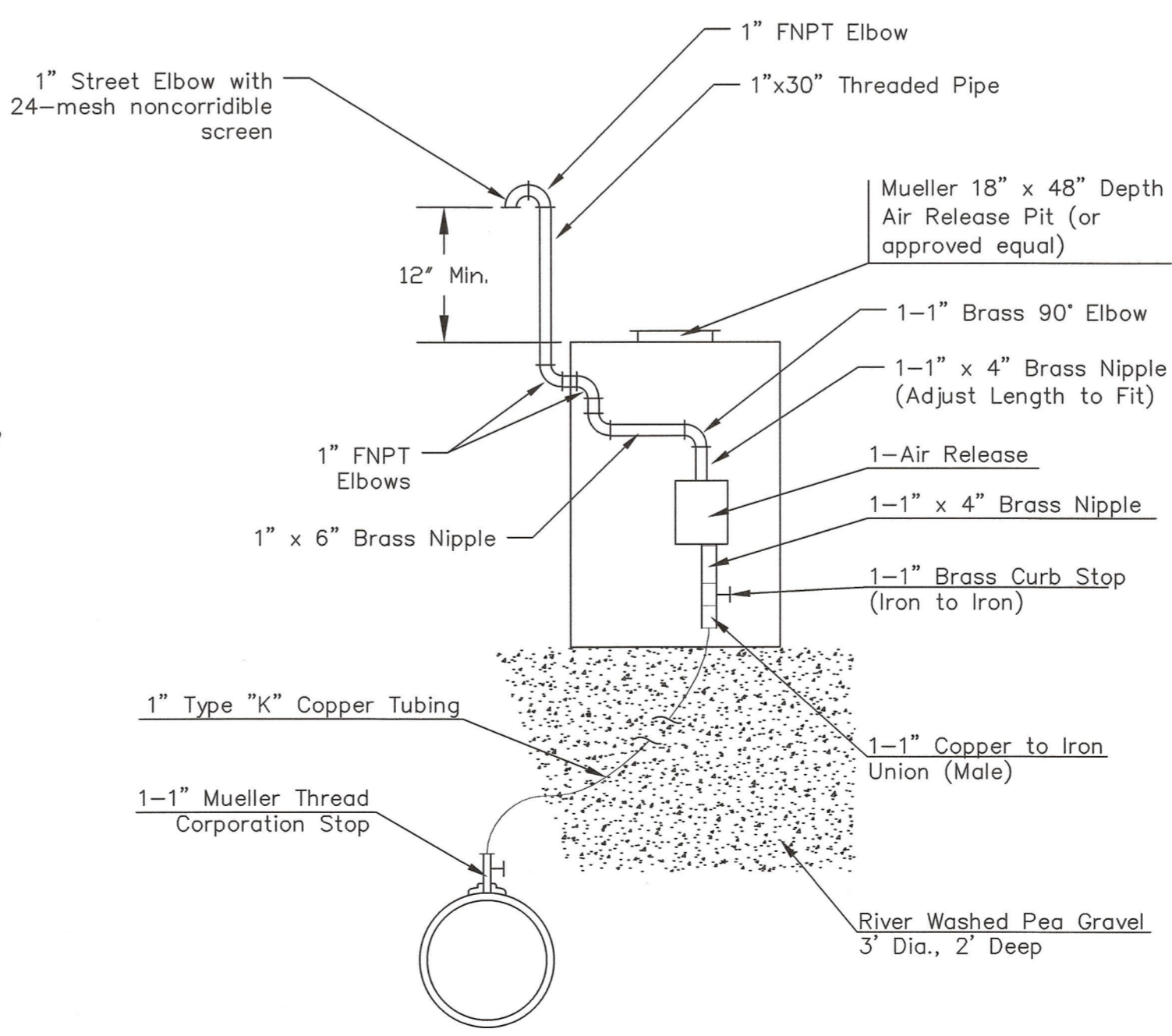


If customers service line is not installed at the time Meter Box and Setter are installed, Plastic Flagging is to be tied to the end of CTS Poly tubing & brought straight up to top of ground and be exposed a minimum of 12" on top of ground. (Plastic Flagging to be Furnished by Contractor)

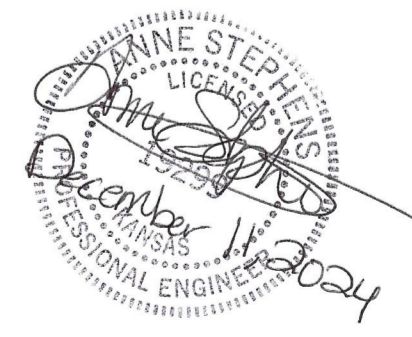
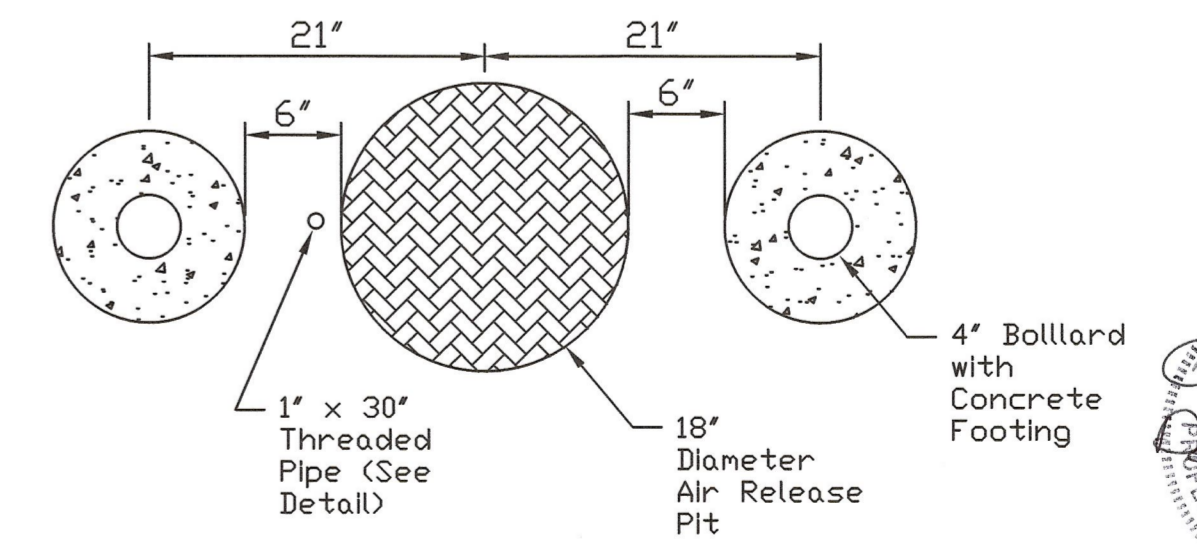
**TYPICAL METER SETTING  
 PLASTIC FLAGGING**



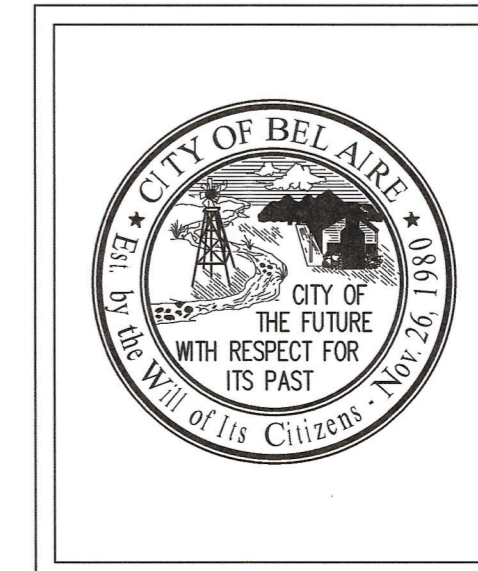
**PIPE BOLLARD**



**AIR RELEASE ASSEMBLY**



- 1 - 1" Mueller Thread Corporation Stop
- 1 - 1" Type "K" Copper Tubing
- 1 - 1" Copper to Iron Union (Male)
- 1 - 1" Brass Curb Stop (Iron to Iron)
- 3 - 1"x4" Brass Nipple
- Air Release
- 5 - 1" Brass Elbows (90°)
- 1 - 1"x6" Brass Nipple
- 1 - 1"x1" Brass Nipple
- 1 - Mueller 1" Air Release Pit
- 1 - 1"x30" Threaded Pipe
- 1 - 1" Brass Elbow with screen



<b>STANDARD    WATER SERVICE    DETAILS</b>	
CITY OF BEL AIRE, KANSAS	
PROJECT NUMBER	DRAWING NAME
	WTRMTR.DWG
DATE	SHEET OF
JAN 2003	