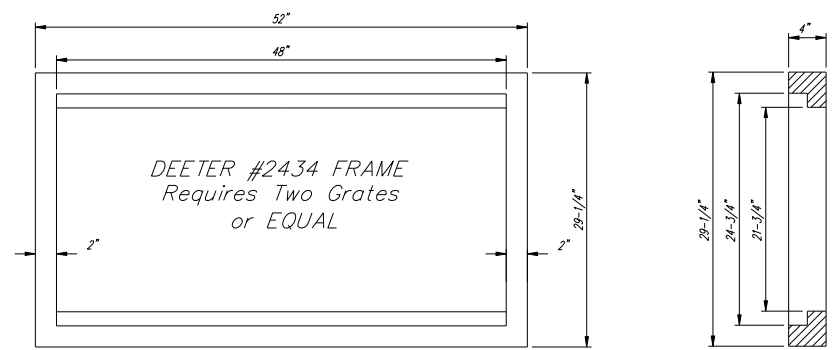
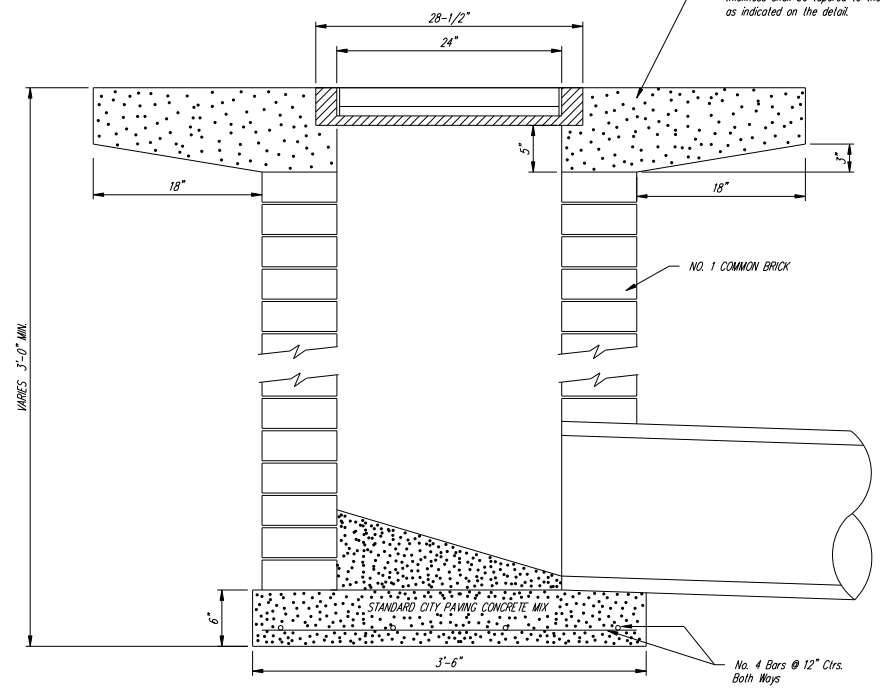
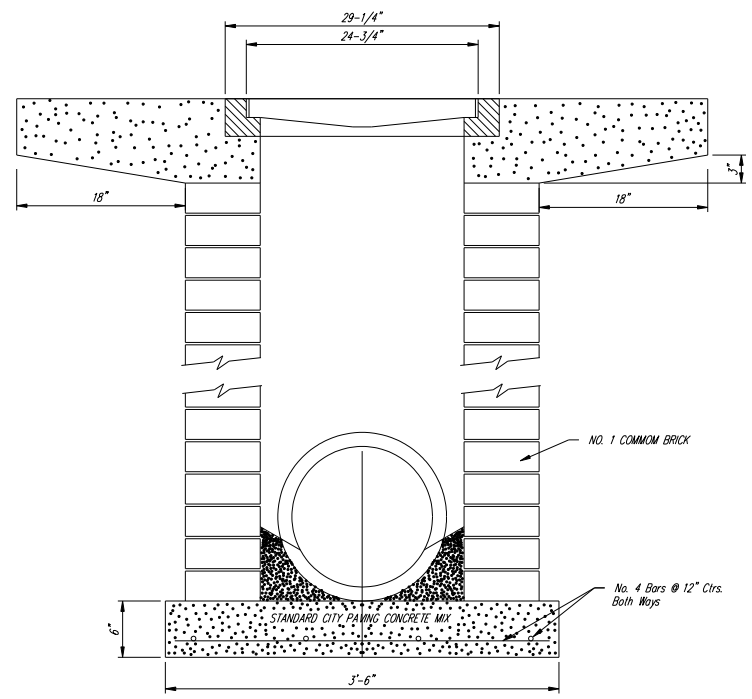


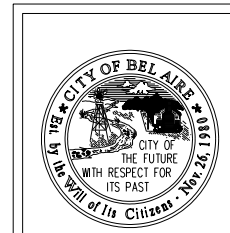
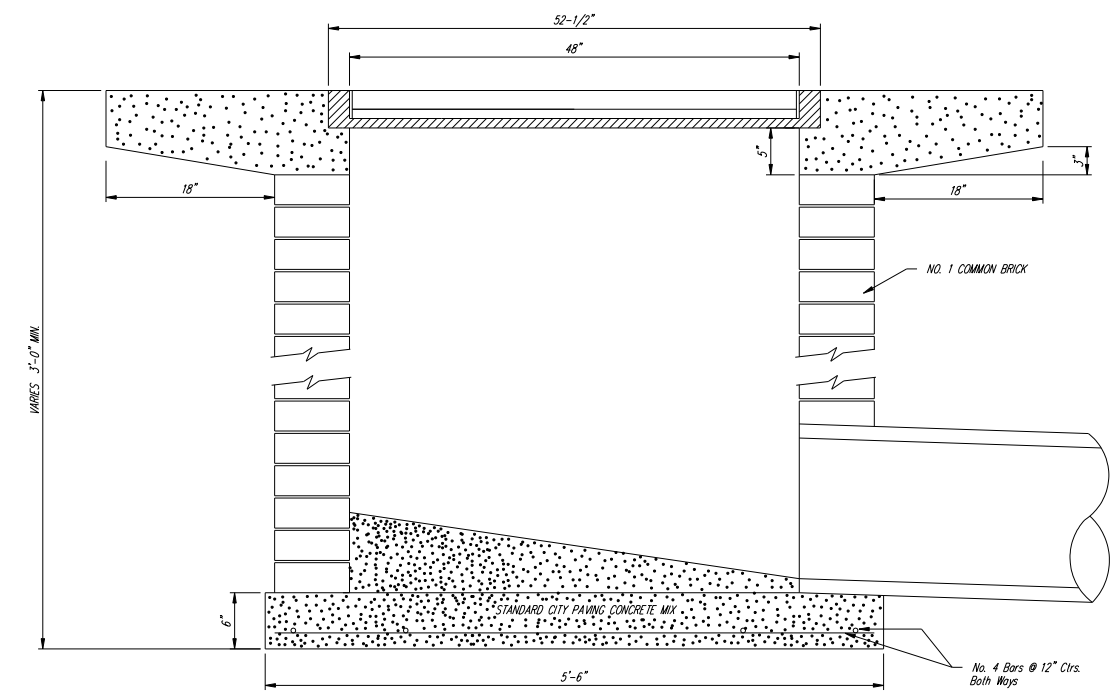
DEETER #2433 GRATE
or EQUAL
24" x 24" Frame and Grate Detail



Double 24" x 24" Frame Detail



Note: Concrete apron shall be constructed around the inlet when inlet is located in an unpaved area. Where the inlet is adjacent to pavement, the pavement thickness shall be tapered to the inlet in 18 inches as indicated on the detail.



DROP INLET
2' x 2' / 2' x 4'

CITY OF BEL AIRE, KANSAS

PROJECT NUMBER X DRAWING NAME DROPINLT.DWG

DATE JAN 2003 SHEET X OF X